

Author: G. REZOHIER Date of the revision 2020-10-14: Creation of the technical file

RANGE: Backward curved centrifugal fans with single phase asynchronous motor

OEP	Test	LQ10Ba	Customer	Rosenberg US
	Winding	M08	Reference	
Drawing of the product	BIS_U31-A2 p - 0-00.pdf		Designation	2RREu45 250x50R



ELECTRICAL DATA

Speed		
Tension (V)	230	230
Frequency (Hz)	50	60
Current (A)	0.68	0.97
Maximum current (A)	0.94	1.32
Power (W)	153	220
Maximum power (W)	192	278
Rotation (RPM)	2760	3140
Cos Φ	0.978	0.986
Temperature min/max (°C)	-40/+70	-40/+70
Capacitor (µF)	6.00	6.00
U_condo (V)	250	250
Comments		

Winding temperature cold (Temperature at 20°C, tolerances 7%)

PP	PA
26.0 Ohm	32.0 Ohm

Temperature variation ()

F (Hz)	Average elevation (°K)	Speed
50 Hz	67 °K	
60 Hz	61 °K	

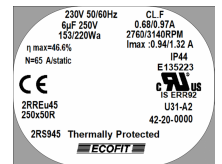
Dielectric strength 1500 V 60 seconds

Direction of rotation CW

MARKING & STANDARDS

Conformity

- **CE**
- **UL 2RS945 2111 REC92 MonoPhasé (XEW2,8)**
File number E135223



Author: G. REZOHIER

Date of the revision 2020-10-14: Creation of the technical file

TECHNICAL DATA

Description

- Weight: 3.00 kg
- With Condensat Drain Holes
- Class F
- Protection level: 44 | Protection against ingress of solid with diameter ≥ 1 mm / Protection against ingress of water : splashing
- Motor's protection T150° C UL Automatic reset
- Bearing type: 2 ball bearings 608ZZ + 6000ZZ
- Balance level: G2.5

Special features

- any

Limiting conditions of operation

- any

ADDITIONAL DATA

Documentations

- Operating and recycling manual
<http://www.ecofit.com/anglais/normes>

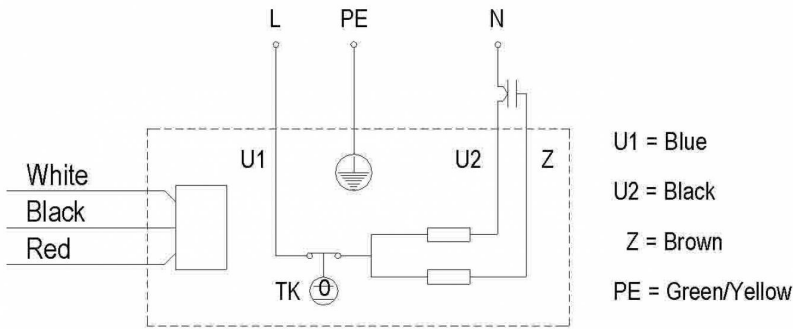
Measurement setup

- Ouie 16234-0 Ouie 250R69

Author: G. REZOHIER Date of the revision 2020-10-14: Creation of the technical file

CONNECTORS

Wiring diagram



Refer to the ECOFIT technical data guide 5 for the hall sensor

ERP DATA

Data according to ErP directive

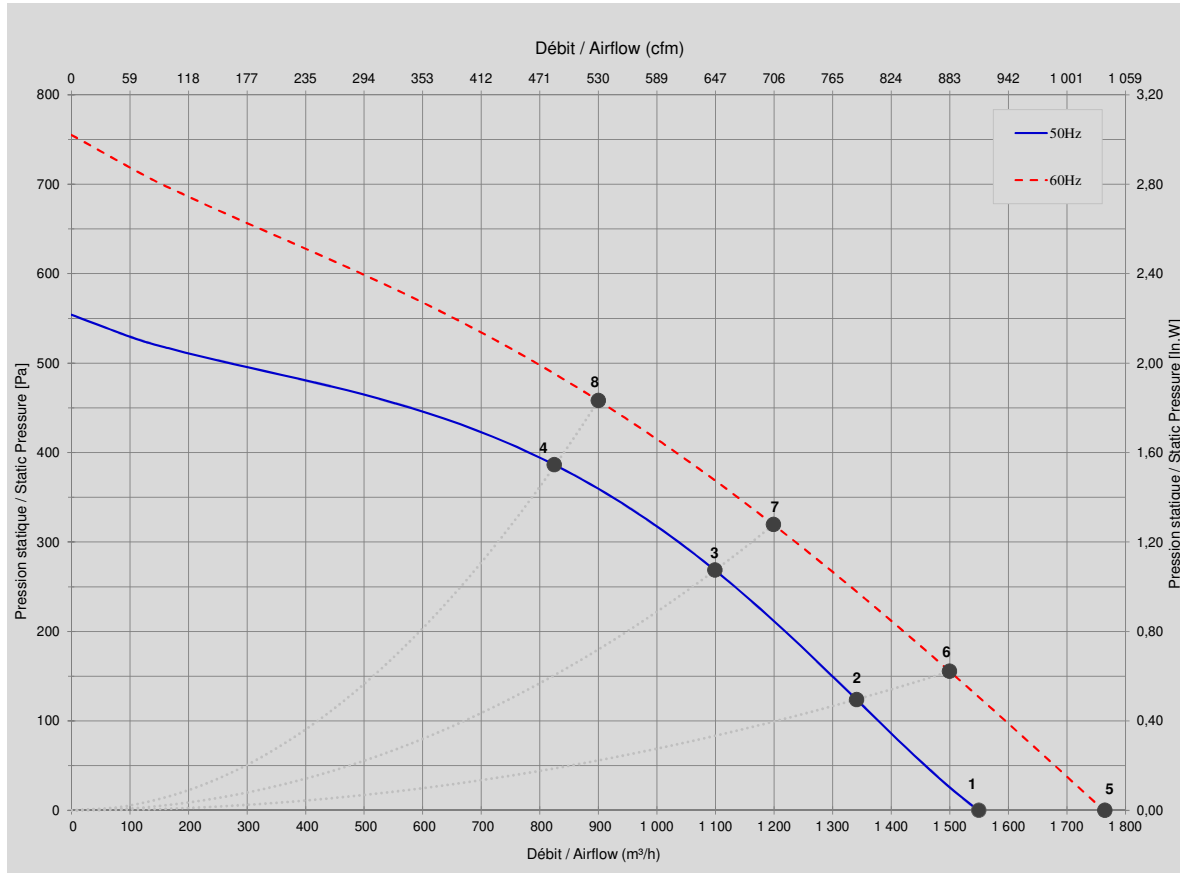
- Designed for standard applications according to the directive EU 2009/125/EC

Tension	230 V
Frequency	50 Hz
Power ¹	0.192 kW
Airflow ¹	900 m3/h
Pressure ¹	358 Pa
Rotation ¹	2658 RPM
Catégorie de mesure	A
Catégorie de rendement	total
Variateur de vitesse	No
Rapport spécifique	1.00

	Actual	2015
Rendement global	46.6	44.0
Niveau de rendement	65	62

¹ at optimum energy efficiency point

TECHNICAL DATA



Mesures / Measured Values *

	Un (V)	F (Hz)	C (µF)	P (W)	n (RPM)	Q (m³/h)	P (Pa)	Q (cfm)	P (in.W)	Lp _m (dBA)
1	230	50	6	153	2760	1 550	0	912	0,000	67,0
2	230	50	6	173	2708	1 341	124	789	0,496	66,0
3	230	50	6	188	2667	1 099	268	647	1,076	65,0
4	230	50	6	191	2661	825	386	486	1,548	62,0
5	230	60	6	220	3140	1 765	0	1 039	0,000	70,0
6	230	60	6	250	3019	1 500	155	883	0,622	68,0
7	230	60	6	272	2912	1 199	319	706	1,280	66,0
8	230	60	6	276	2894	900	458	530	1,835	64,0

* Air performance measured according to: ISO 5801, installation category C.
Intake-side sound level: according to ISO 3744, LpA measured at 1 m distance from fan axis. The values given are only applicable under the specified measuring conditions and may differ depending on the installation conditions. In the event of deviation