

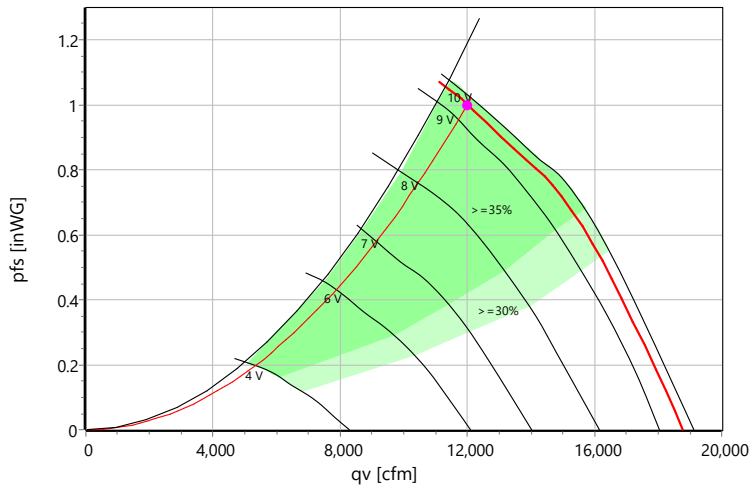


Type: **AKFG 800 N.6NA A6 Gen3**

Part no.:



Curve:



p: 1.21 kg/m³; Data @ 400 V

Operating Point:

q _v	12000	cfm
p _{fs}	1	inWG
p _{fd}	0.4	inWG
η _{ed,fs}	40	%
η _{ed,tot}	52	%
P _{ed}	3.55	kW
I	5.4	A
n	1122	r/min
L _{WA A,IN}	83	dB(A)
U _c	9.4	V
v	37.2	ft/s
SFP	628	Ws/m ³

Fan Energy Index:

AMCA 208-18	
FEI	1.12

t _{R,OP}	60	°C
-------------------	----	----

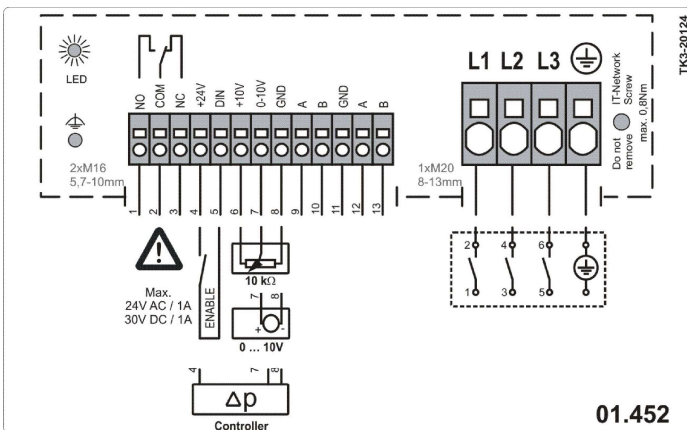
Nominal Data:

U [V]	f [Hz]	Data @ [V]	P _{ed} [kW]	I _N [A]	n _N [r/min]	t _R [°C]	k ₁₀ [m ² /h]	Eff.-Rating	IP	m [kg]
3~380-480	50/60	400	3.5	5.4	1130	-25 .. +60	-	IE5	IP 54	-

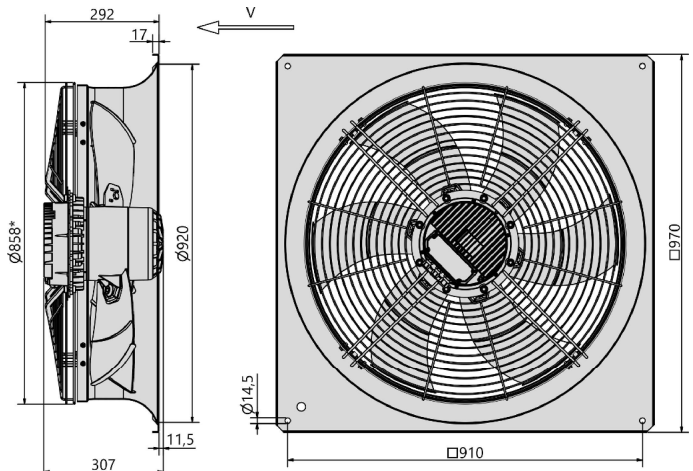
Sound Data:

Frequency	Σ	63Hz	125Hz	250Hz	500Hz	1kHz	2kHz	4kHz	8kHz	Distances	1 m	4 m
L _{wA(A,in)} [dB(A)]	83	61	65	71	77	78	77	71	67	L _{pA(A,in)} [dB(A)]	76	65
L _{wA(A,out)} [dB(A)]	86	67	72	77	80	81	79	73	66	L _{pA(A,out)} [dB(A)]	79	68

Wiring Diagram:



drawing:



* Maß über Hauptstreben gemessen / dimension measured over main struts

Data @ 460V: 3,5 kW; 4,8 A; 1130 1/min