

Author: I. BOULAY

Date of the revision 2020-12-18: Replacement with a stapled volute and material change

RANGE: Double inlet centrifugal fans with single phase asynchronous motor

OEP	ND	Test	LR54Bf	Customer	Rosenberg US
		Winding	BB69	Reference	
Drawing of the product	BIS_S03-A2 p_l=a.pdf			Designation	2GDSu15 120x126L



ELECTRICAL DATA

Speed		
Tension (V)	115	115
Frequency (Hz)	50	60
Current (A)	0.80	0.88
Maximum current (A)	0.88	0.97
Power (W)	91	101
Maximum power (W)	91	101
Rotation (RPM)	1470	1400
Cos Φ	0.989	0.998
Temperature min/max (°C)	-40/+70	-40/+70
Capacitor (µF)	8.00	8.00
U_condo (V)	400	400
Comments	Free air flow	Free air flow

Winding temperature cold (Temperature at 20°C, tolerances 7%)

PP	PA
35.5 Ohm	58.5 Ohm

Temperature variation (110% of the voltage)

F (Hz)	Average elevation (°K)	Speed
50 Hz	59 °K	
60 Hz	68 °K	

Dielectric strength 1300 V 60 seconds

Direction of rotation CCW

MARKING & STANDARDS

Conformity

- **CE**
- **UL 2SS915 2111 REC92 MonoPhasé (XEWR2,8)**
File number E135223



Author: I. BOULAY

Date of the revision 2020-12-18: Replacement with a stapled volute
and material change

TECHNICAL DATA

Description

- Weight: 2.44 kg
- Without Condensat Drain Holes
- Class F
- Protection level: 44 | Protection against ingress of solid with diameter ≥ 1 mm / Protection against ingress of water : splashing
- Motor's protection T150° C UL Automatic reset
- Bearing type: (*) 2 sealed ball bearings 608 2RSL
- Balance level: G2.5

Special features

- any

Limiting conditions of operation

- any

ADDITIONAL DATA

Documentations

- Operating and recycling manual
<http://www.ecofit.com/anglais/normes>

Measurement setup

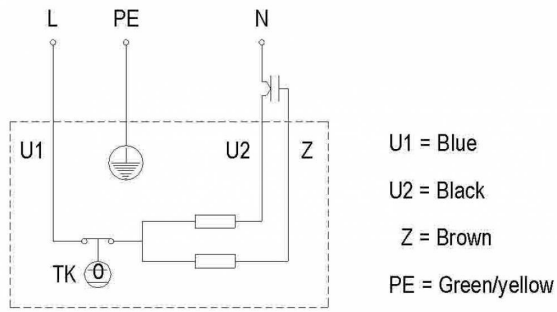
- Scroll 15121-b VOL VSD146

Author: I. BOULAY

Date of the revision 2020-12-18: Replacement with a stapled volute and material change

CONNECTORS

Wiring diagram



ERP DATA

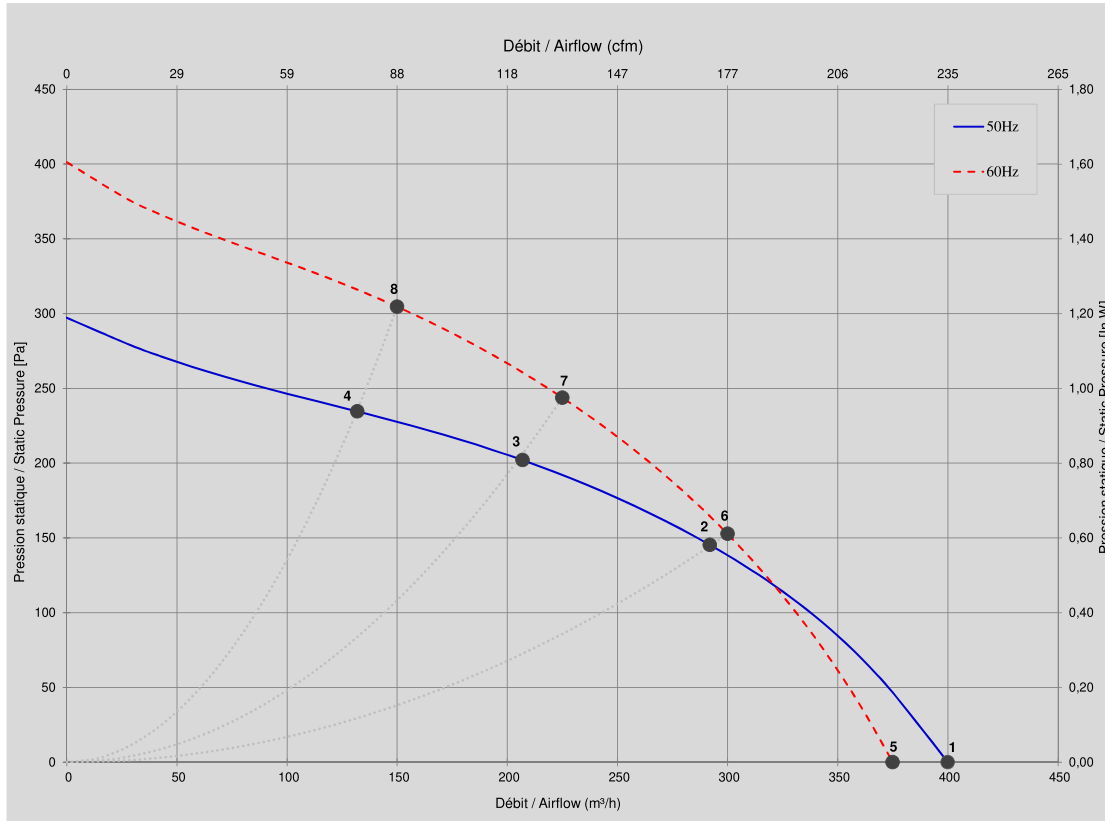
ErP Directive ErP (EU 2009/125/EC) not applicable:

- Power at optimum energy efficiency point <125W

Author: I. BOULAY

Date of the revision 2020-12-18: Replacement with a stapled volute and material change

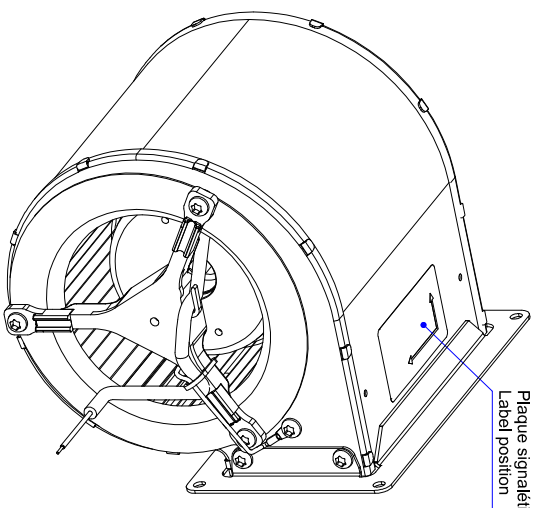
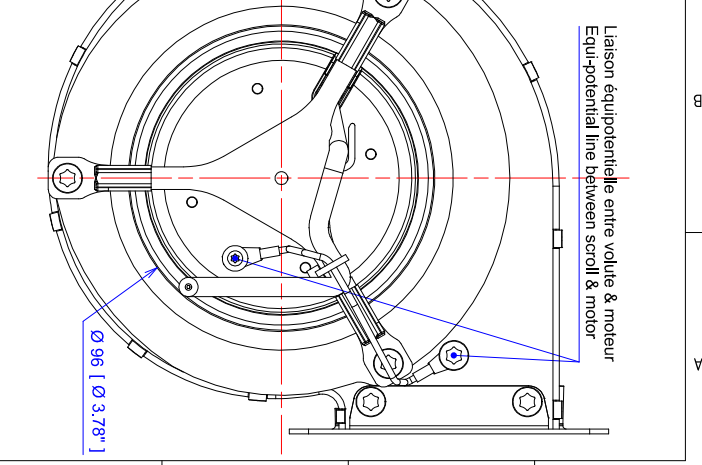
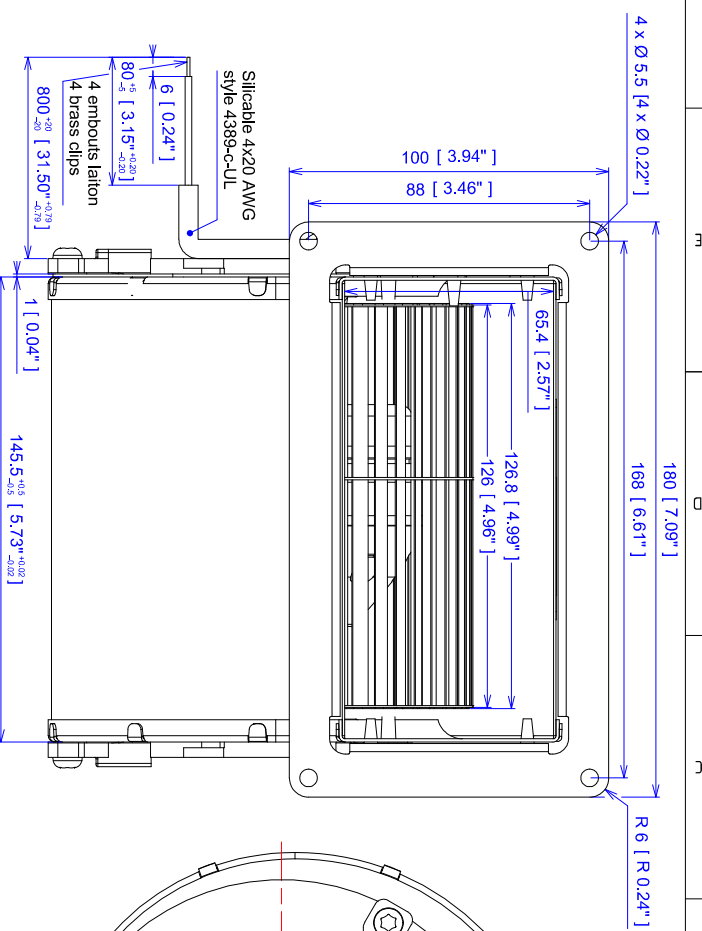
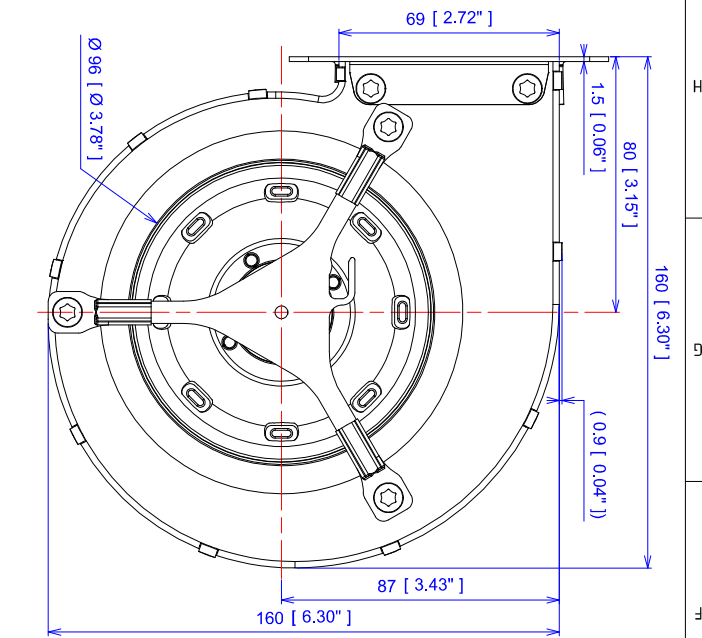
TECHNICAL DATA



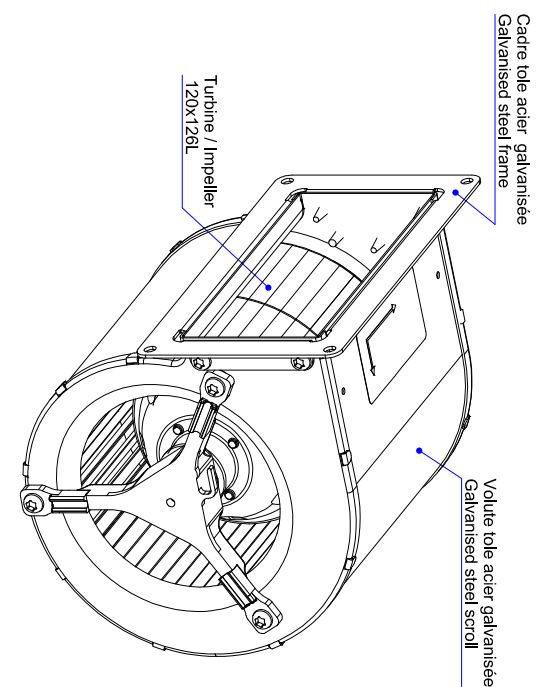
Mesures / Measured Values *

	Un (V)	F (Hz)	C (µF)	P (W)	n (RPM)	Q (m³/h)	P (Pa)	Q (cfm)	P (in.W)	Lp _n (dBA)
1	115	50	8	91	1470	400	0	235	0,000	57,0
2	115	50	8	74	2220	292	145	172	0,582	57,0
3	115	50	8	64	2492	207	202	122	0,809	57,0
4	115	50	8	58	2652	132	235	78	0,940	57,0
5	115	60	8	101	1400	375	0	221	0,000	55,0
6	115	60	8	91	2266	300	153	177	0,612	58,0
7	115	60	8	81	2710	225	244	132	0,977	59,0
8	115	60	8	72	3000	150	305	88	1,220	61,0

* Air performance measured according to: ISO 5801, installation category C.
Intake-side sound level: according to ISO 3744. LpA measured at 1 m distance from fan axis. The values given are only applicable under the specified measuring conditions and may differ depending on the installation conditions. In the event of deviation



Plaque signalétique
Label position



Cadre tôle acier galvanisée
Galvanised steel frame

Volute tôle acier galvanisée
Galvanised steel scroll

Turbine / Impeller
120x126L

Liaison équipotentielle entre volute & moteur
Equi-potential line between scroll & motor

a	01/12/2020	Remplacement par une volute agrafée et changement de matériau	rd
0	27/02/2019	Création du dossier technique	rd
INDICE	DATE	LIBELLÉ	AUTEUR
	Dessiné par :	rd	01/12/2020
Ech. 0,900	Vérifié par :		Fait de surface :
Format : A2	Folio : 1/1	Protection :	Fiche technique / Data sheet EV/EC.025
DOUBLE INLET CENTRIFUGAL FAN MOTO VENTILATEUR 2GDSu15-120x126L (115V)		Tolérances générales : ± 1mm	
TopSolid 6			
<small>REPRODUCTION ET/OU L'EMPRUNT TOTAL OU PARTIEL DE CE DOCUMENT SANS L'AUTORISATION ÉCRITE DE SON ÉDITEUR EST INTERDITE. LE DROIT DE PROPRIÉTÉ INTELLECTUELLE EST RÉSERVÉ.</small>		N° S03-A2 p	Indice : a